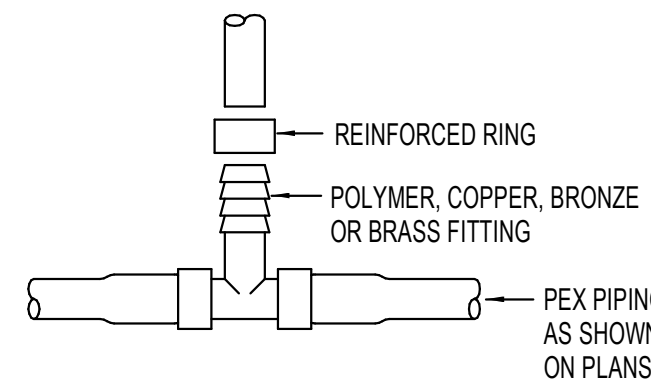
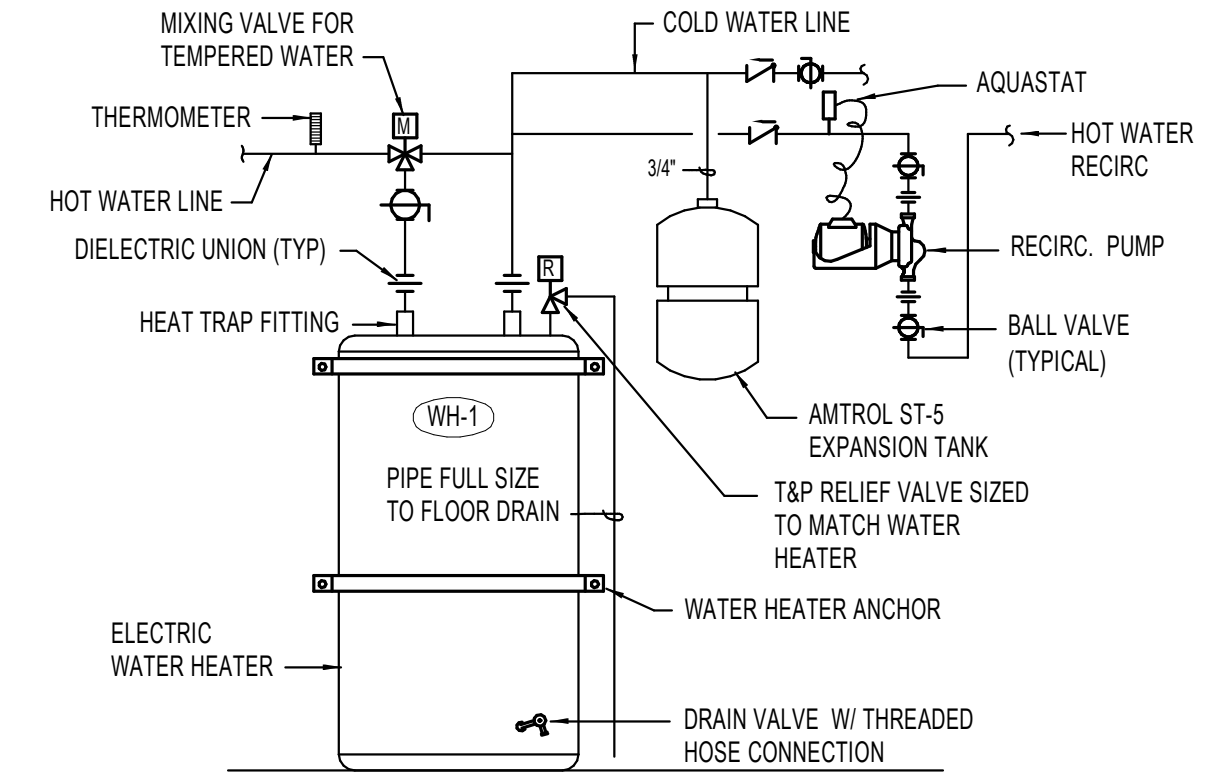
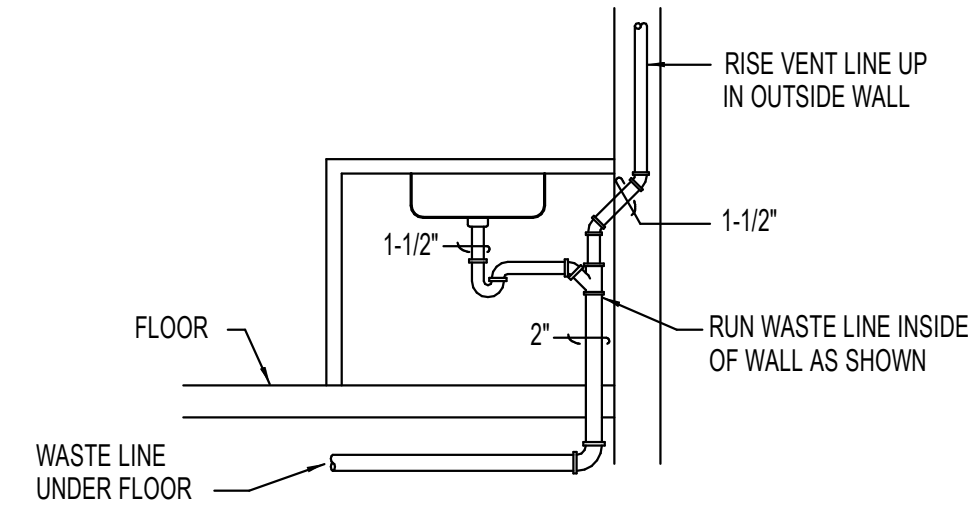
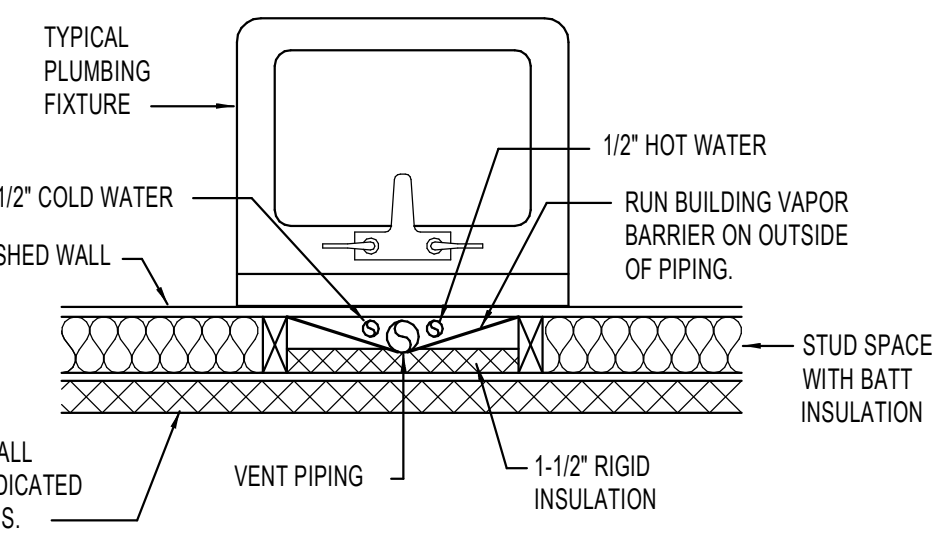


THIS TYPE (COLD EXPANSION) OF FITTING REQUIRES THAT THE PEX PIPING, WITH REINFORCING PEX RING PLACED OVER THE END OF THE END OF THE PIPE, IS EXPANDED BEFORE THE FITTING IS INSERTED INTO THE PIPE END. THE EXPANDED PIPE END IS ALLOWED TO RETRACT ONTO THE FITTING TO FORM THE SEAL. THE MEMORY OF THE PIPE ALLOWS IT TO TIGHTEN OVER THE FITTING. AN EXPANDER TOOL IS REQUIRED TO EXPAND THE PIPE AND THE PEX RING TOGETHER.

ALL JOINTS (TEES, ELBOWS, COUPLINGS, ETC.) ARE JOINTED SIMILARLY.



NOTE: STAINLESS STEEL CAMP BANDS ARE ALSO PERMITTED FOR REINFORCING RING.



A PEX PIPE FITTING DETAILS

NO SCALE

B PIPING IN OUTSIDE WALL DETAIL

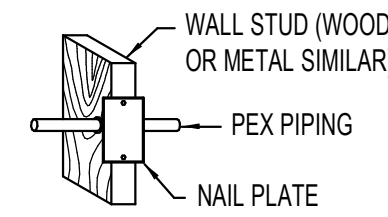
NO SCALE

C VENT IN OUTSIDE WALL DETAIL

NO SCALE

D WATER HEATER DETAIL

NO SCALE



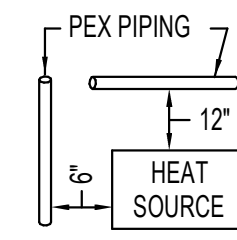
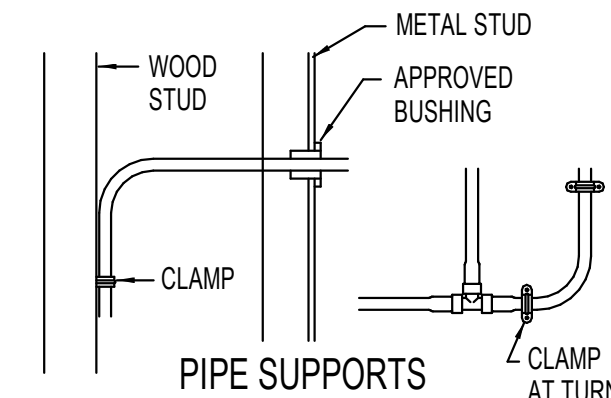
WALL INSTALLATION

PIPE SUPPORTS: PLASTIC HANGERS AND STRAPS ARE RECOMMENDED, BUT METAL SUPPORTS WHICH ARE DESIGNED FOR USE WITH PLASTIC TUBING CAN BE USED.

DO NOT USE SUPPORTS THAT PINCH OR CUT THE TUBING. SUPPORT SHOULD ALLOW FREE TUBING MOVEMENT.

INSPECT ALL SUPPORTS PRIOR TO INSTALLATION TO ENSURE THAT SHARP EDGES DO NOT EXIST THAT CAN DAMAGE THE TUBING. DO NOT USE IN ANY APPLICATION WHERE TUBING WILL BE EXPOSED TO DIRECT SUNLIGHT.

VERTICAL TUBING TO BE SUPPORTED EVERY 8'-0" WHEN PENETRATING METAL STUDS. UTILIZE A BUSING DESIGNED FOR PLASTIC TUBING. SUPPORTS SHALL BE INSTALLED AT CHANGES IN DIRECTION TO RELIEVE STRESS AS SHOWN.



KEEP TUBING A MINIMUM OF 12" VERTICALLY OR 6" HORIZONTALLY FROM SOURCES OF HIGH HEAT SUCH AS LIGHT FIXTURES, FLUES OR HEATING EQUIPMENT.

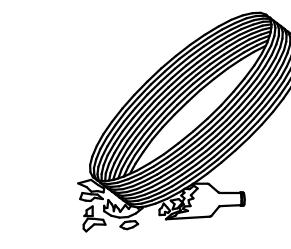
NOTE: USE ONLY CONTINUOUS LENGTH TUBING (NO FITTINGS) WHEN INSTALLING PEX UNDER OR WITHIN A SLAB. PROTECT PEX TUBING WITH NONMETALLIC SLEEVES WHERE IT PENETRATES A SLAB OR FOUNDATION WALL.

MIN. CLEARANCES

TUBING SIZE	MIN. RADIUS BENDING
3/8"	4"
1/2"	5"
3/4"	7"
1"	9"

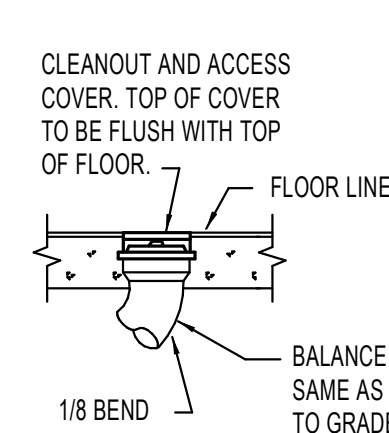


DO NOT CRUSH OR KINK TUBING

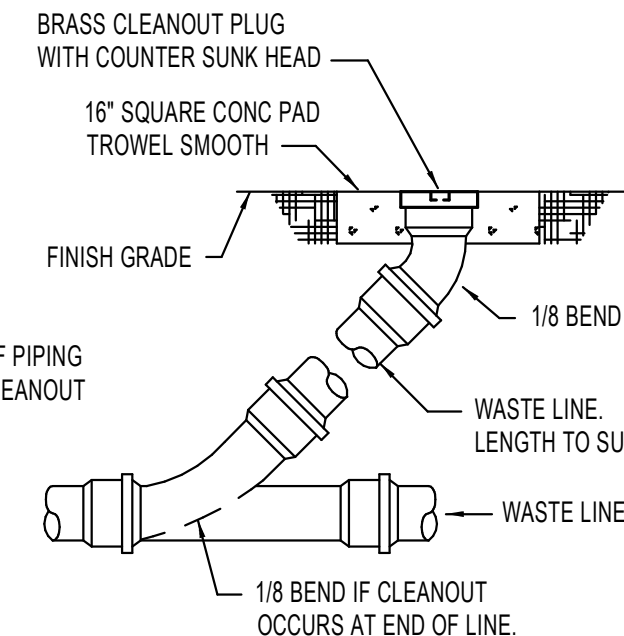


DO NOT DRAG TUBING OVER ROUGH TERRAIN, ROCKS, OR ANY SURFACE THAT CAN CUT, PUNCTURE OR DAMAGE TUBING WALL.

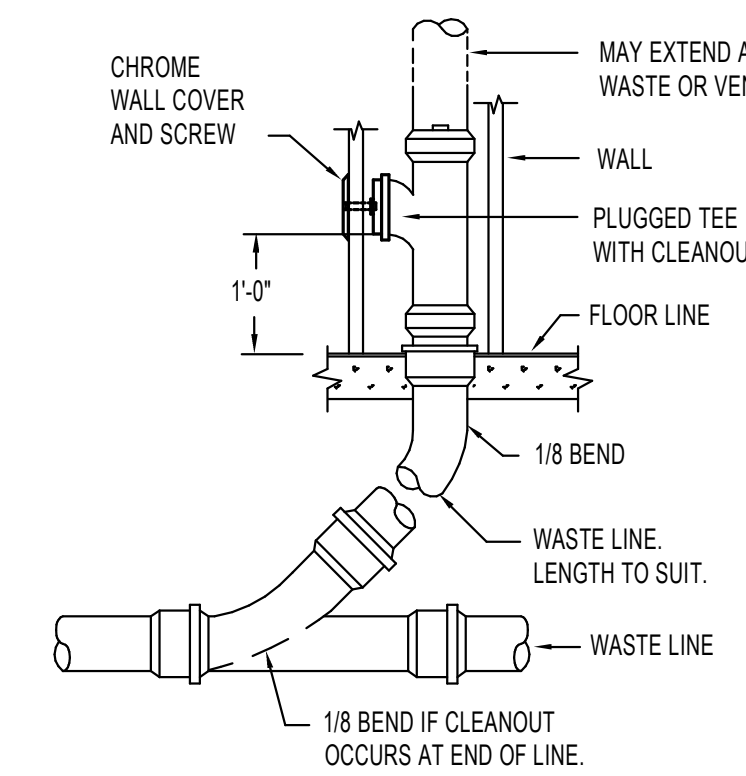
TUBING AND FITTINGS SHALL BE STORED UNDERCOVER FOR CLEANLINESS AND TO AVOID EXPOSURE TO SUNLIGHT. CONSULT MANUFACTURER FOR RECOMMENDED LIMITS TO OUTSIDE STORAGE.



FLOOR CLEANOUT (FCO)



CLEANOUT TO GRADE (COTG)



E PEX PIPE INSTALLATION DETAILS

NO SCALE

F PEX PIPE HANDLING DETAILS

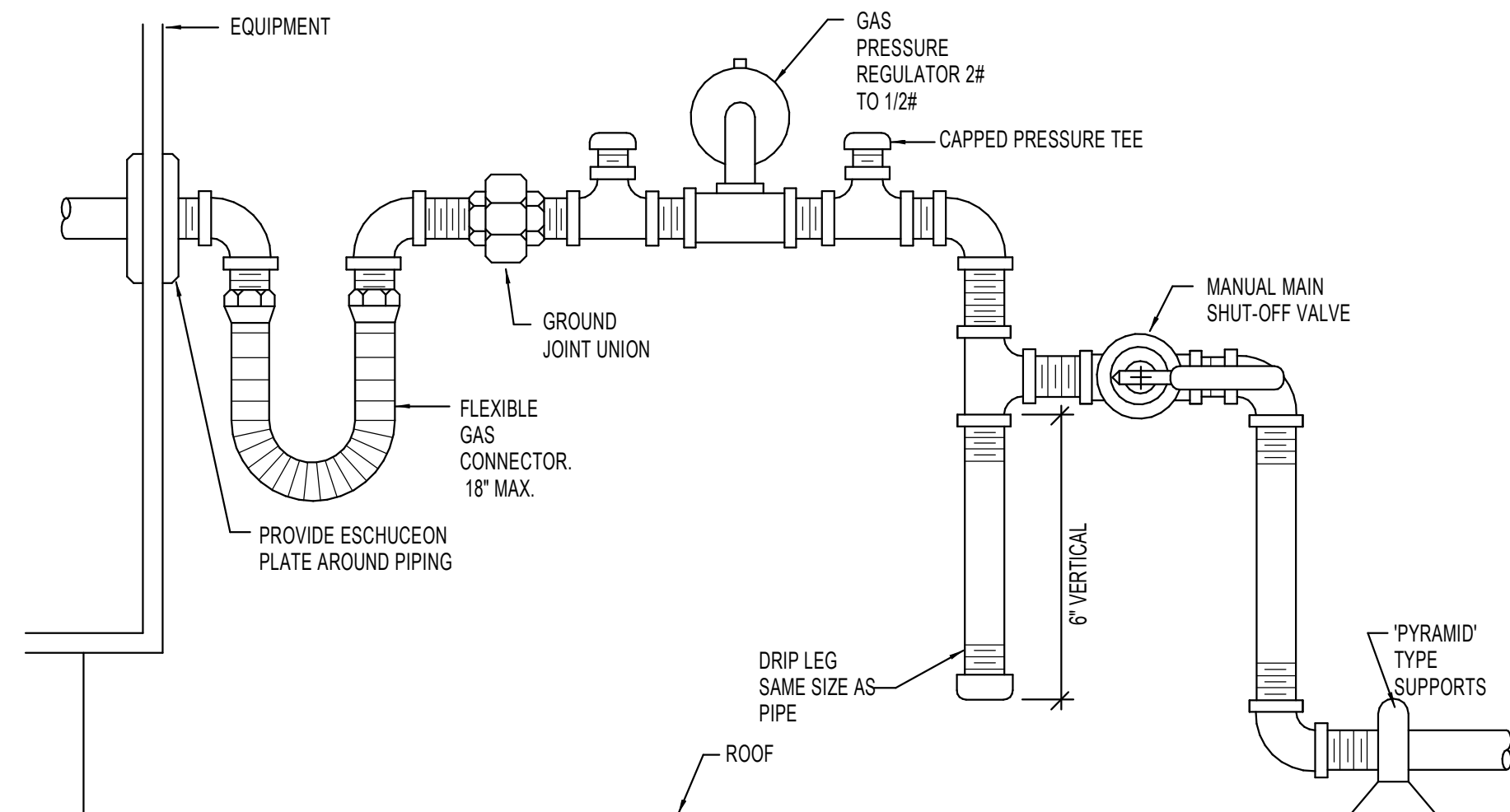
NO SCALE

G CLEAN OUT TO GRADE DETAIL

NO SCALE

H WALL CLEAN OUT DETAIL

NO SCALE



J GAS LINE CONNECTION DETAIL

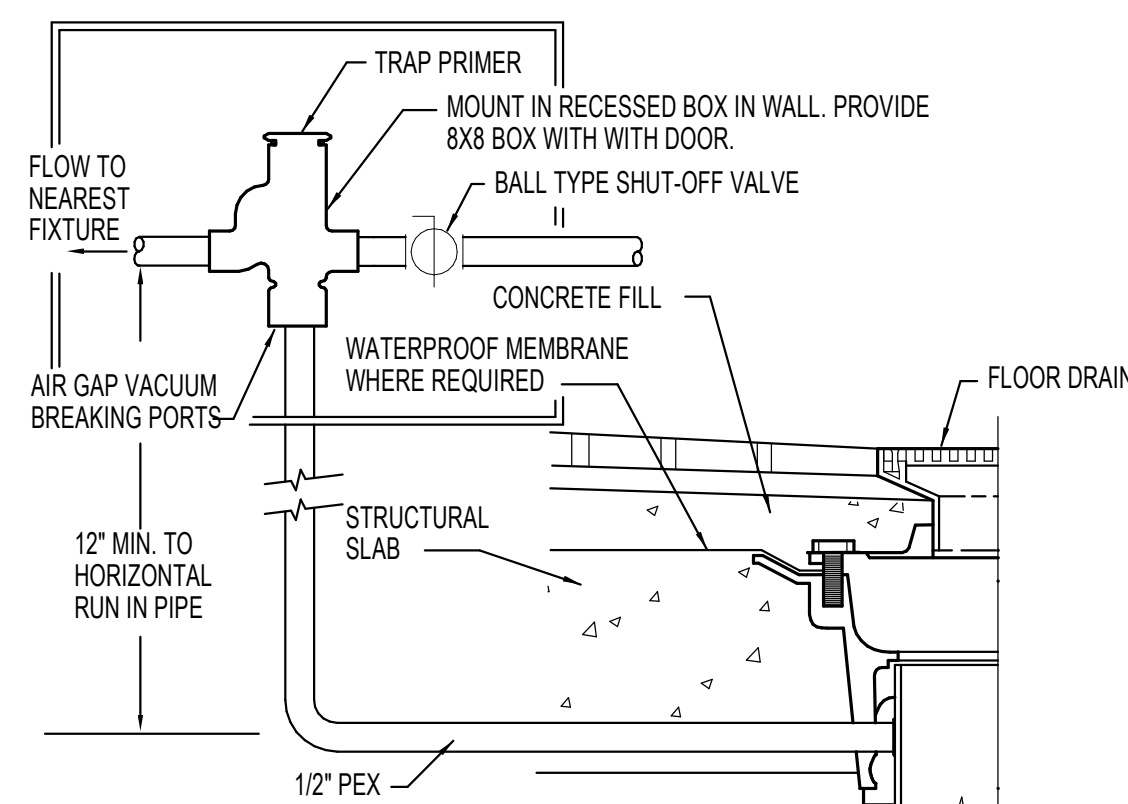
NO SCALE

K BACK-FLOW PREVENTION DEVICE DETAIL

NO SCALE

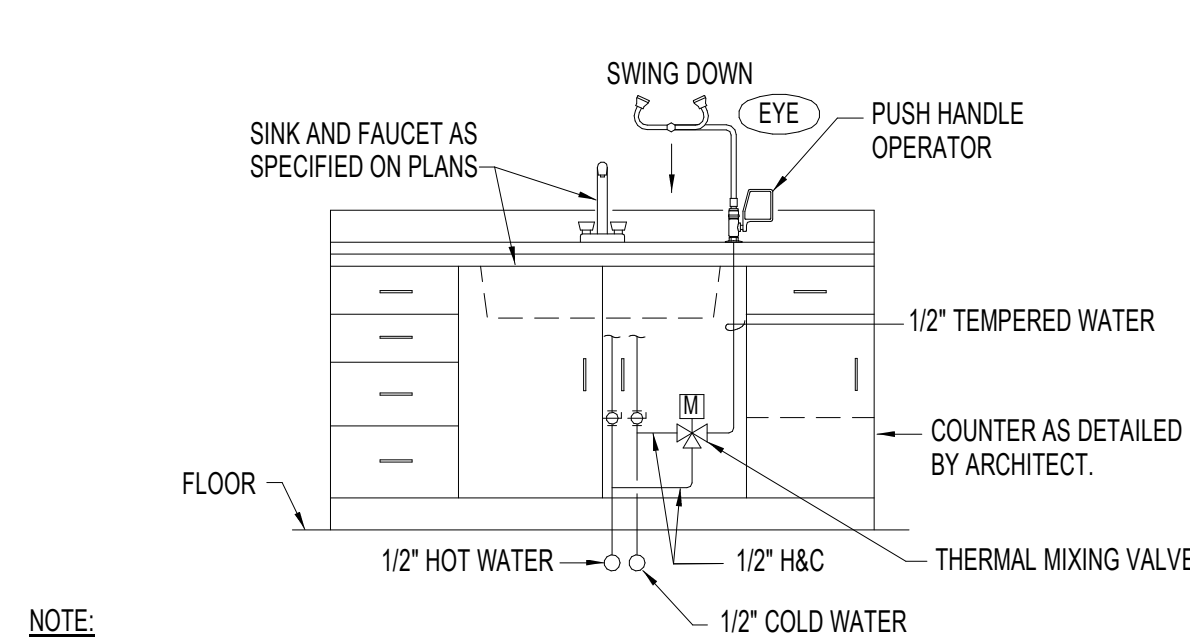
L VERTICAL WATER PRESSURE REDUCING STATION

NO SCALE



M TRAP PRIMER DETAIL

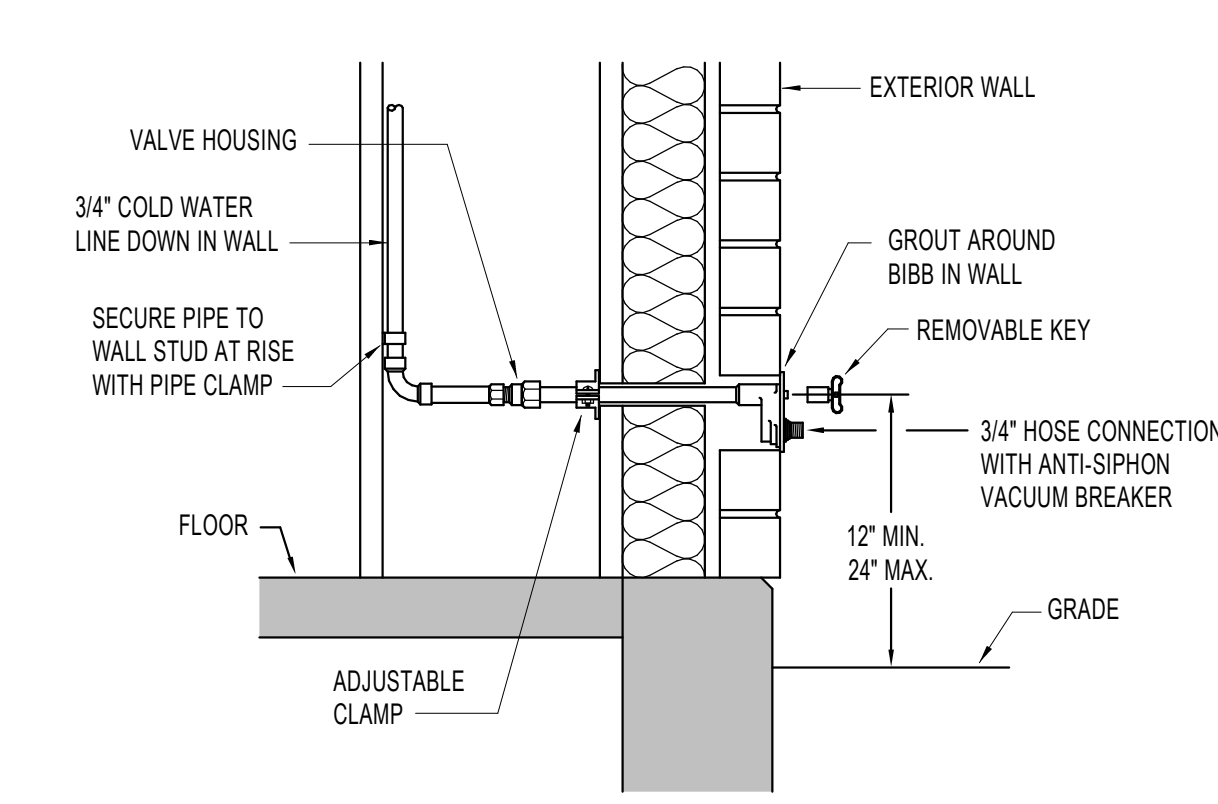
NO SCALE



NOTE: ANSI STANDARD SPECIFIED EYEWASH NOZZLE HEIGHTS TO BE 33" MIN. TO 45" MAX. ABOVE FLOOR. CENTERLINE OF EYEWASH HEADS MUST BE 6" MIN. AWAY FROM WALL.

N EMERGENCY EYEWASH DETAIL

NO SCALE



O EXTERIOR HOSE BIBB DETAIL

NO SCALE

12/2/2022

DATE:

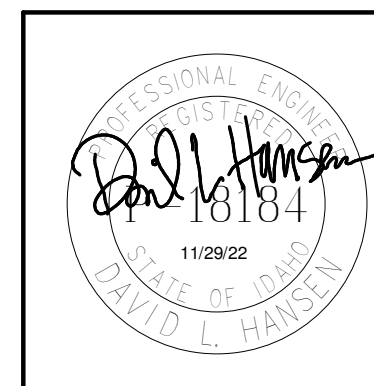
A NEW FACILITY FOR;
FAMILY HEALTH SERVICES
SHOSHONE, IDAHO
PLUMBING DETAILS AND DIAGRAMS

Laughlin Ricks Architecture
architecture/planning
935 Shoshone Street North * Twin Falls, Idaho 83301
(208) 736-8050 Fax: (208) 733-0950

DATE: 12/2/2022

MLJ DLH
Drawn Checked

P3.1



Engineered Systems Associates
1395 EAST CENTER
POCATELLO, IDAHO 83201
PHONE: (208) 233-0501
FAX: (208) 233-0529
EMAIL: esa@engsys.com
ESA JOB NUMBER: 22042